

# Basic Deep Cup Sink Strainer

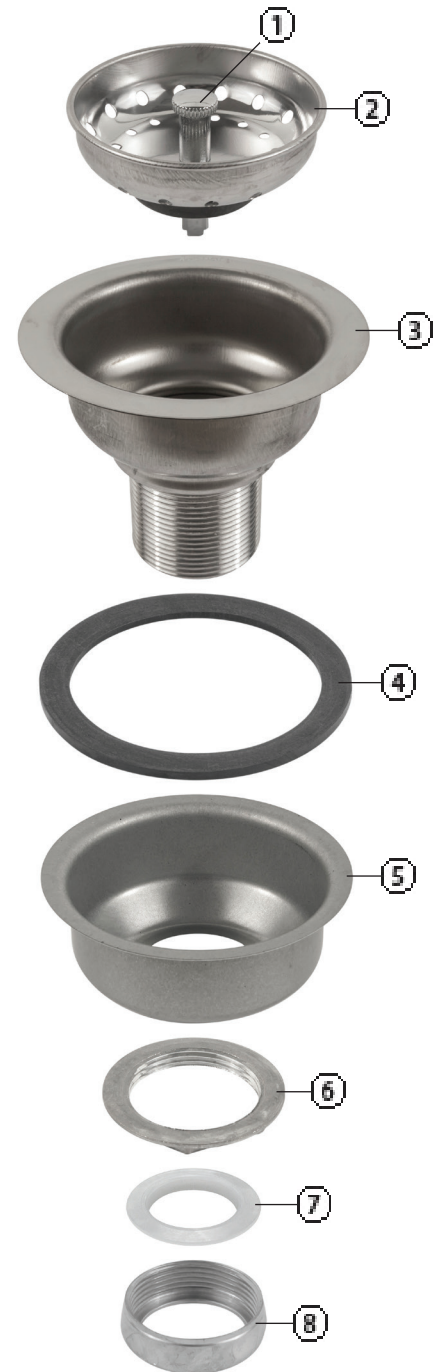
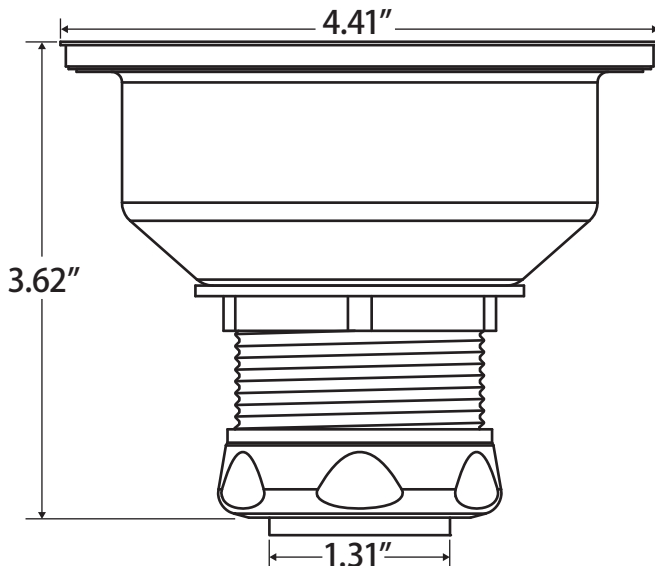
## 400 Grade Stainless Steel Sink Strainer



**SS409**

High quality and low cost makes this deep cup strainer a perfect choice. Made of 400 grade stainless steel, it features a unique post that can switch from straining to a positive leak-proof rubber seal with just a quarter turn motion. With a large zinc lock nut and tail nut it is also easy to install.

Fits sinks which have a thickness between 1/16" and 3/4"



**WARNING:** This product can expose you to chemicals including lead, which is known to the State of California to cause cancer, and lead, which is known to the State of California to cause birth defects or other reproductive harm. For more information go to [www.P65Warnings.ca.gov](http://www.P65Warnings.ca.gov).

No.	Materials
	<b>305-408</b>
1	Handle
2	Strainer Basket
3	Body
4	Rubber Washer
5	Cup
6	Lock Nut
7	Seal Ring
8	Tail Nut

Note: Includes friction ring